



8" DTH HAMMER

STENUICK08M

CATEGORY

Drilling equipment

FEATURES

Recommended for:
 - water well drilling
 - geothermal
 - foundations

TECHNICAL CHARACTERISTICS

Top thread: 4"1/2 REG Pin
 Outside diameter: 174 mm
 Length: 1370 mm
 Bit shank: SD8
 Pressure range: 7 to 24 bars
 Bit range: 200 to 305 mm
 Weight: 165 kg



AIR CONSUMPTION

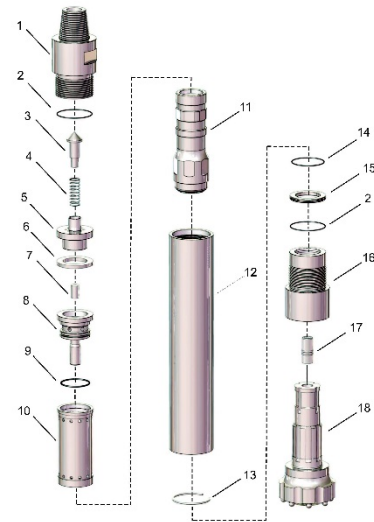
Pressure		Air consumption	
bar	psi	bar	psi
7	100	6.5	230
10	150	10.8	380
14	200	15.3	540
17	250	19.4	680
24	350	27.7	980

BIT FOR STENUICK08M / SD8 / COP84M

Diameter		Bit types			Weight (kg)
mm	inch	SD8	SD8	SD8	Weight (kg)
200	7"7/8			●	51.0
203	8"			●	52.0
216	8"1/2			●	53.0
219	8"5/8			●	54.0
241	9"1/2			●	60.0
254	10"			●	64.0
279	11"			●	72.0
305	12"			●	82.0

SPARE PARTS LIST

Rep.	Reference	Designation
	STENUICK08M	8" dth hammer SD8
1	STEN08REP01	Top adaptor
2	STEN08REP02	O ring
3	STEN08REP03	NR valve
4	STEN08REP04	NR valve spring
5	STEN08REP05	NR valve housing
6	STEN08REP06	Spacer
7	STEN08REP07	Plug
8	STEN08REP08	Air distributor
9	STEN08REP09	O ring
10	STEN08REP10	Liner
11	STEN08REP11	Piston
12	STEN08REP12	Cylinder
13	STEN08REP13	Snap ring
14	STEN08REP14	O ring
15	STEN08REP15	Bit retaining rings
16	STEN08REP16	Chuck
17		Foot valve
18		Bit



34, rue des Châtelliers
 BP 2803
 45028 Orléans Cedex 1
 Téléphone : 02 38 86 50 46
 Télécopie : 02 38 86 78 91
 Email : stenuick@stenuick.fr
 Site : www.stenuick.fr

IMPORTANT:

The technical characteristics can be modified without advance notice